

**NOTES:**

1. .01 and .05 capacitors are in MFD. All others are MMFD unless noted.
2. Resistor values in Ohms.
3. 50 MMFD & 100 MMFD in tuning unit are ceramic temperature compensating.

SETTING PUSH BUTTONS

1. Expose locking screw by removing push button.
2. Loosen locking screw about one full turn.
3. With locking screw loose, and button depressed, tune in desired station accurately.
4. Tighten screw and replace moulded cap.

DO NOT LOOSEN screw more than 4 turns. Screw may come out and may be hard to replace.

ALIGNMENT FREQUENCIES

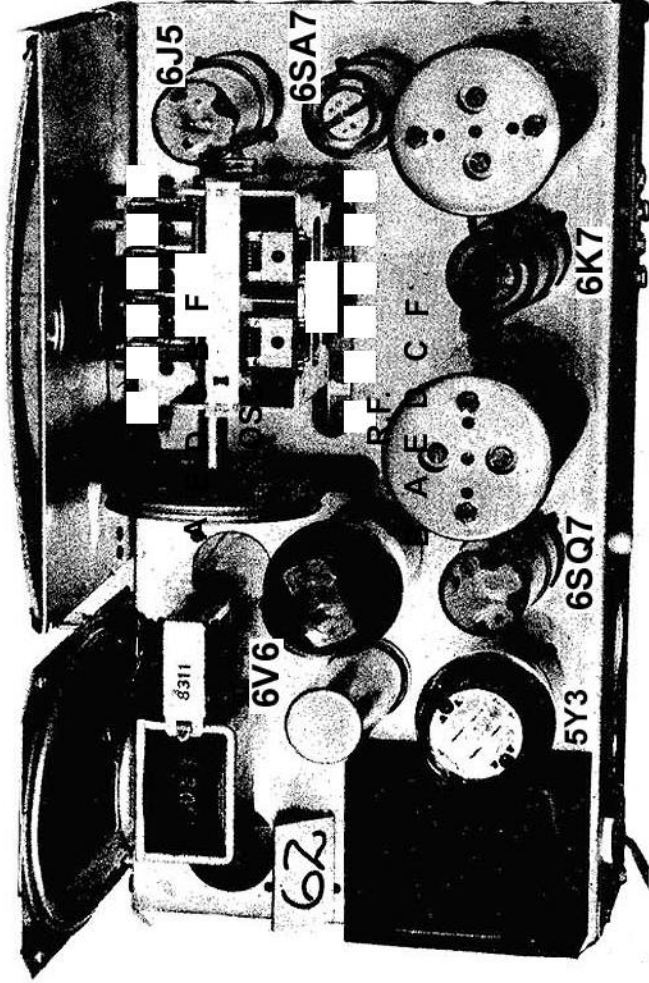
I.F. FREQUENCY: 455 KC

ALIGN "B" BAND FIRST

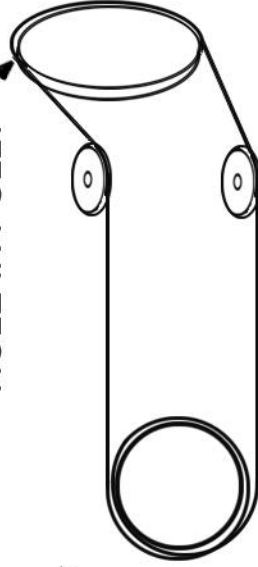
BAND      FREQUENCY

B	6.6MC
A	1400KC & 560KC
C	9.8MC
D	11.7MC
E	15.7MC
F	24.0MC

FRONT  
OF  
CHASSIS

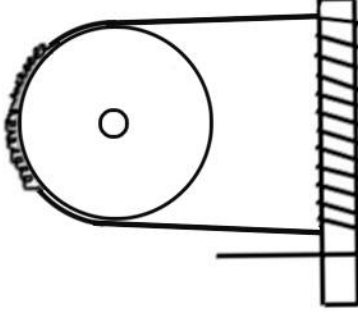


TIE CORD ENDS TO  
HOLE IN PULLY



USE THIN DIAL CORD  
BOTH PLACES

CENTER OF SPRING  
SOLDERED TO PULLY



11-1/2 TURNS  
SPACED APART

TUNING  
CAPACITOR  
INNER  
PULLY

MIDWEST  
CHASSIS 62 (6 Tube, 1942)

Revised July 6, 2022

*Mike Simpson*